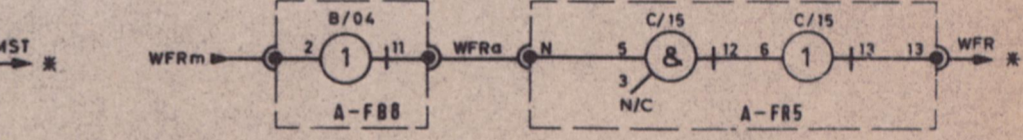
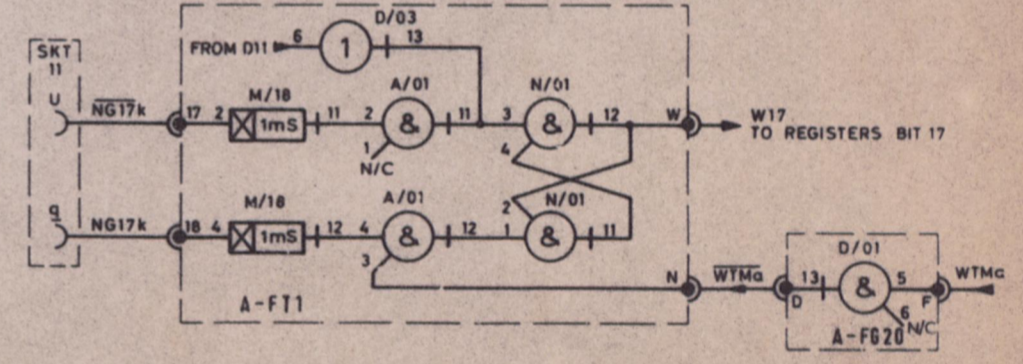
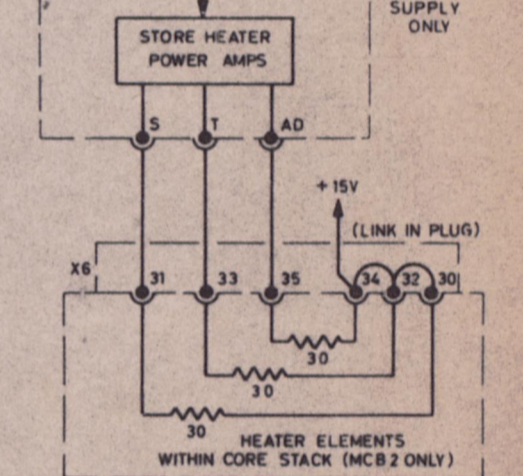
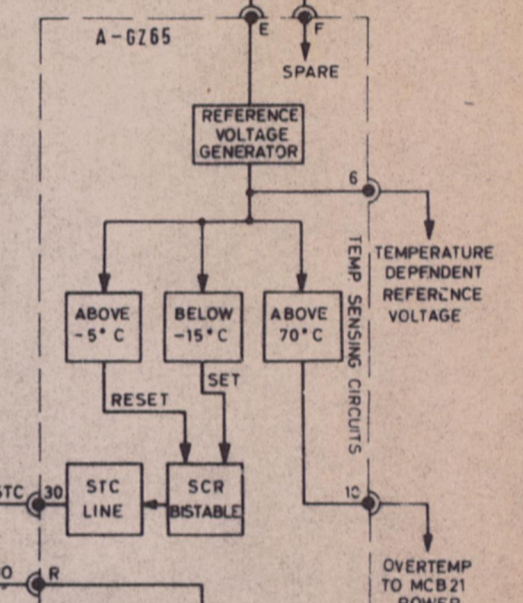
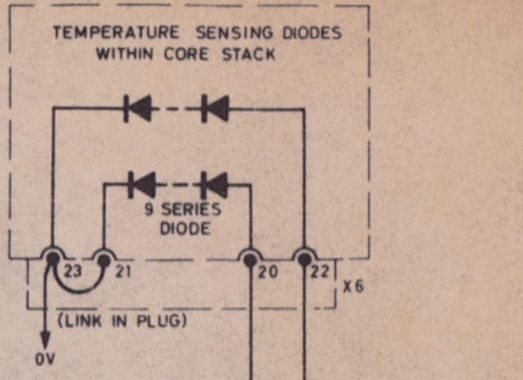
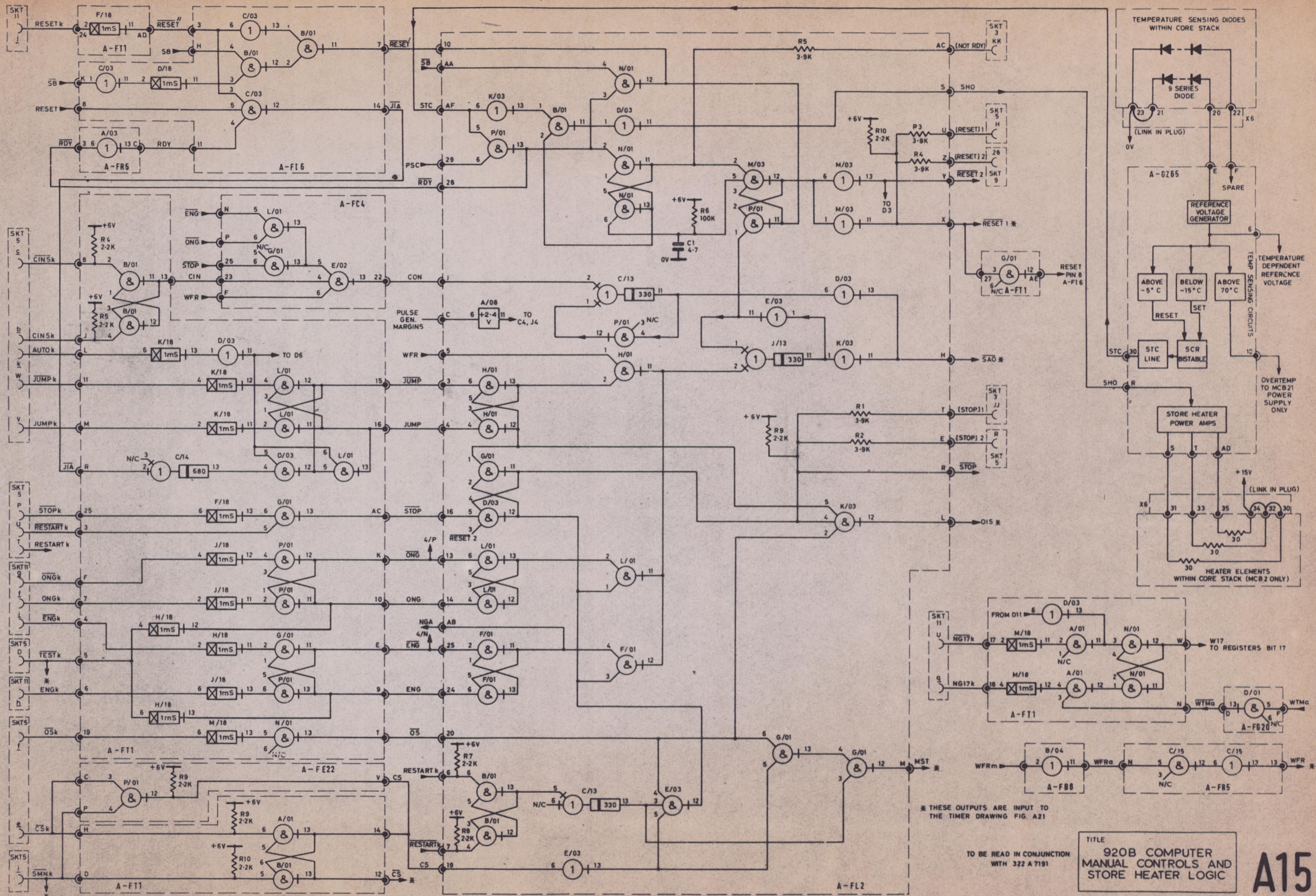


USED ON A7201



* THESE OUTPUTS ARE INPUT TO THE TIMER DRAWING FIG. A21

TO BE READ IN CONJUNCTION WITH 322 A 7191

TITLE
920B COMPUTER
MANUAL CONTROLS AND
STORE HEATER LOGIC

A15

LATEST M.I. INCORPORATED M.I. **2998**

ISSUE No.	1	MATERIAL	FINISH	ELLIOTT BROTHERS (LONDON) LTD
ALT ⁿ No.	1001	TITLE 920B COMPUTER MANUAL CONTROLS AND STORE HEATER LOGIC		
DATE	1.11.66	SCALE DRAWING No. 322D8069		
INITIALS	W.P.P.	PARTS LIST No.		
DRAWN W.Y.P.		CHECKED C.B.S.S.	APPROVED A.W.	DATE 1.11.66